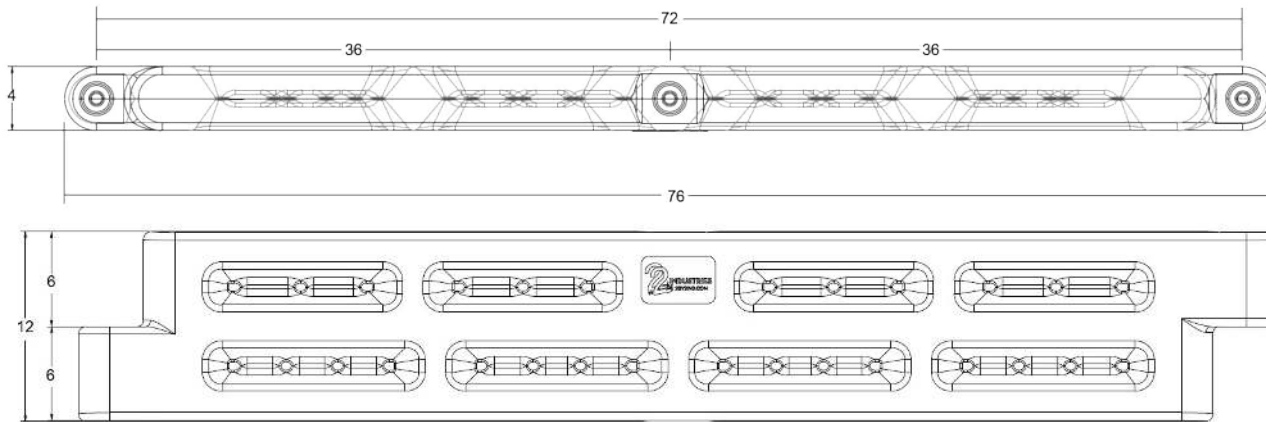
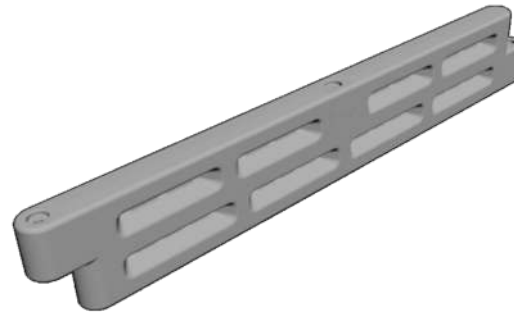


PO Box 7987  
Edmond, OK 73083  
14710-B Metro Plaza Blvd  
Edmond, OK 73013



O: 877-234-6558  
F: 405-607-0624  
info@2by2ind.com



# 12" BORDER TIMBER—6' LONG

- Border Walls average between 3/16" (0.1875") and 5/16" (0.3125")
- Manufactured with 28 Individual Strengthening Tack-Off Points
- Border Size is 76"L x 4"W x 12"H - Spike Connection Points are 36" apart (total of 72" per Border).
- Comes with (2) 28.5-30" Long Spikes, Each spike is 0.66-0.75" OD Thick w/ 1.5" OD (38mm) Round Head
- Shipping Weight w/ Steel Spike: 19 lbs/each || Shipping Weight w/ VersaSpike: 14 lbs/each